

# ZT Series Monocrystalline

Solar Module



## 270S BLACK MODULE

### Efficiency

High Module Conversion Efficiencies using high efficiency monocrystalline cells

### Warranty

Peace of Mind Guaranteed with a twenty-five Year Linear Power Warranty and Product Quality Ensured for ten years

### Certifications

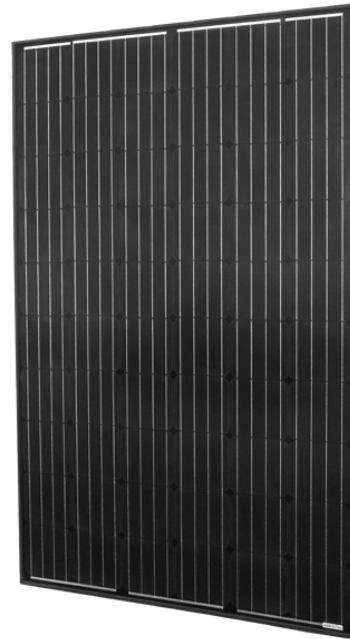
IEC 61215:2005, IEC 61730:2004, UL 1703-3rd Ed: 2014, ULC/ORD C1703-01:2014, ISO 9001:2008, PSK 024:2008

### Tolerance

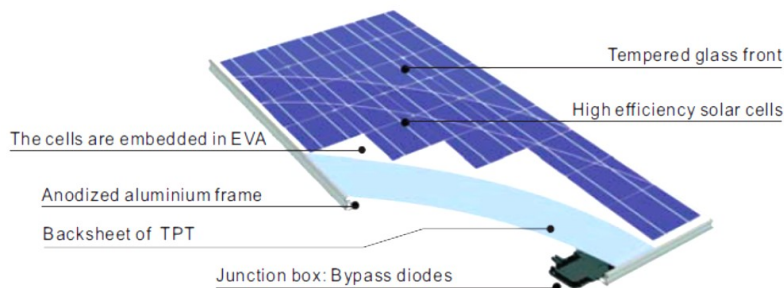
Strict quality control guarantees higher average power output according to tolerance  
-3% to +3% of maximum power

### Optimized Strength

Withstand extreme wind (4000 Pascal) and snow loads (5400 Pascal).



#### Module Construction



### EMPOWERING You To Change The Future

Zytech was founded in Zaragoza (Spain) in 2005. Since then the group has progressively increased its infrastructure and production capacity to become a global power with offices and headquarters in Spain, Germany, France, Italy, BENELUX, Mexico, United States of America, Korea, and Malaysia.

Zytech takes pride in their R&D department which specializes in product enhancement, state-of-the-art machinery and rigorous quality control that guarantees an European quality product at the best price.



[www.zytechsolar.com](http://www.zytechsolar.com)

# ZT Series Monocrystalline

Solar Module



## 270S BLACK MODULE

### Cell Data

Technology	Monocrystalline Silicon
Number Per Module	60
Dimension	156 × 156mm (6 inches)
Orientation	6 × 10

### Thermal Data

Nominal Operating Cell Temperature (NOCT)	45°C ± 2°C
Temperature Coefficient of Voc	-0.34% / °C
Temperature Coefficient of Isc	+0.037% / °C
Temperature Coefficient of Power Pmax	-0.48% / °C

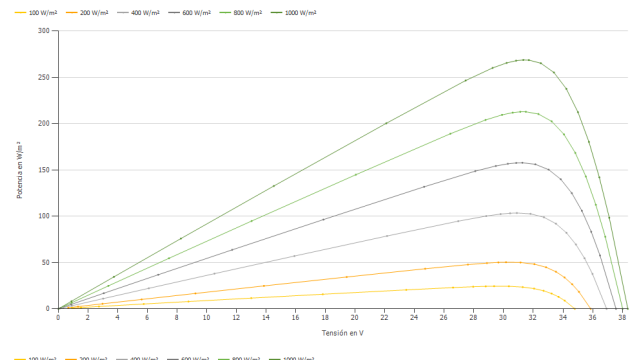
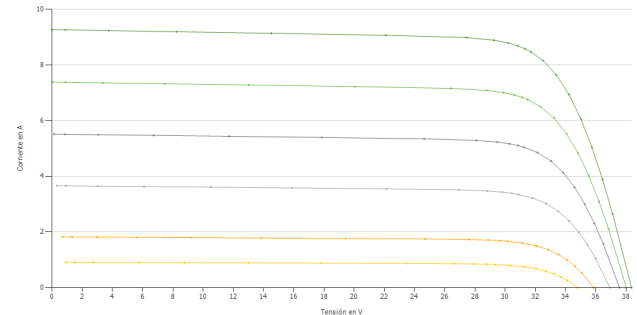
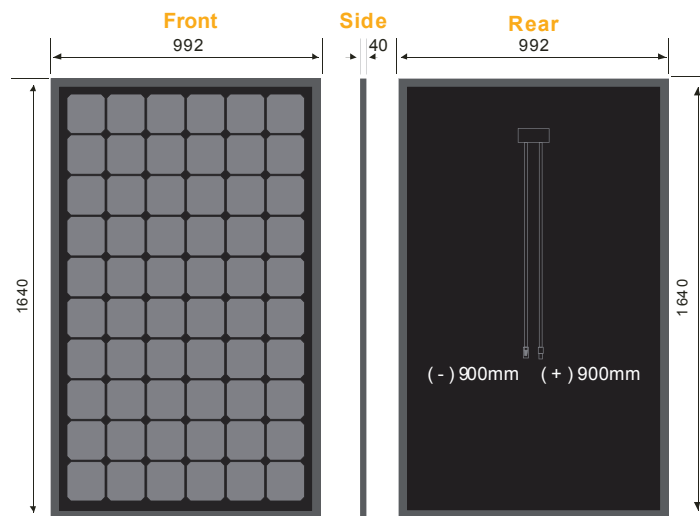
### Electrical Data (STC)

		ZT270S
Maximum power (W)	Pmax	270
Power Output Tolerance (%)		
Maximum Power Voltage (V)	Vmpp	31.48
Maximum Power Current (A)	Imp	8.58
Open Circuit Voltage (V)	Voc	38.56
Short Circuit Current (A)	Isc	9.27
Module Efficiency (%)		16.60%

\* At Standard Conditions (STC) Irradiance 1000 watt/m<sup>2</sup>, spectrum AM 1,5 at a cell temperature of 25°C

### System Integrated Parameters

Maximum System Voltage SCII	1000 VDC (UL1000V)
Maximum Reverse Current	Do not apply external voltages larger than Voc to the module
Operating Temperature	-40~+85°C
Max Series Fuse Rating	15A



### Physical Characteristics

Module Dimension (L×W×H)	1640×992×40mm. Codes: ZT270S-PV30014
Weight	18.5 kg (40.79 lbs)
J-Box	IP65 or IP67 rated, 3 diodes
Connector	MC4 or MC4 Compatible IP67
Glass	3.2mm (0.13 in), High Transmission, AR Coated Tempered Glass
Cable	4 mm <sup>2</sup> PV cable, 900mm/1000mm
Frame	Black Anodized Aluminum Alloy

### Packing Configuration

Modules Per Pallet	28
Pallet Per 40' Container	28 (784 pcs)
Packing Box Dimension (L×W×H)	1700×1150×1040 mm
Packing Orientation	Side

## ZYTECH SOLAR S.L.

P. Industrial Centrovía- C/R. Janeiro, 12  
 50198 La Muela (Zaragoza) SPAIN  
 Tel: +34 976 141819 / Fax: +34 976+141818  
 info@zytech.es  
 www.zytechsolar.es

\*Zytech Solar reserves the right to change specifications without notice\*